

THIS IS STAUFF

RESPONSE AND FLEXIBILITY • COMPETENT SERVICE • PROMPT DELIVERY • ENSURED QUALITY • FRIENDLY SERVICE • PROVEN IN PRACTICE



**Australia**  
Stauff Corporation (Pty.) Ltd.  
P.O.Box 227, 24-26 Doyle Avenue,  
Unanderra Wollongong, N.S.W  
2526 AUSTRALIA  
Tel: +61 2 42 71 18 77  
Fax: +61 2 42 71 84 32



**Brazil**  
Stauff Brasil Ltda.  
Av. Gupê 10767  
Galpão 2 - Bloco A  
Baruen - São Paulo - CEP 06422-120, BRAZIL  
Tel: +55 (0)11 4772 7200  
Fax: +55 (0)11 4772 7210



**Canada**  
Stauff Canada Ltd.  
866 Milner Avenue  
Scarborough, Ontario M1B 5N7, CANADA  
Tel: +1 416 282 46 08  
Fax: +1 416 282 30 39



**China**  
Stauff International Trading (Shanghai) Co., Ltd.  
Shanglian Mansion, Pudong  
331, Binzhou Road  
200126 Shanghai, CHINA  
Tel: +86 21 58 45 65 60  
Fax: +86 21 58 45 66 80



**France**  
Stauff S.A.  
Z.I. de Vineuil-Blois Sud  
230, Avenue du Grain d'Or  
41354 Vineuil-cesdex, FRANCE  
Tel: +33 2 45 50 55 50  
Fax: +86 21 58 45 66 80



**Germany**  
Walter Stauffenberg GmbH & Co. KG  
P.O. Box 1745,  
D-58777 Werdohl, GERMANY  
Tel: +49 (0) 23 92/916-0  
Fax: +49 (0) 23 92 25 05



**India**  
Stauff India Pvt. Ltd.  
Gat. No. 2340  
Pune-Nagar Road, Wagholi  
IND-Pune - 412207  
Tel: +91 20 705 19 90  
Fax: +91 20 705 19 89



**Italy**  
Stauff Italia S.R.L.  
Via Pola 21/23  
I-20034 Birone di Giussano  
Tel: +39 0362 31 21 13  
Fax: +39 0362 33 55 36



**New Zealand**  
Stauff Corporation (NZ) Ltd.  
Unit J, 150 Harris Road, P.O. Box 58517  
Greenmount Auckland-NEW ZEALAND  
Tel: +64 9 271 4812  
Fax: +64 9 271 4832

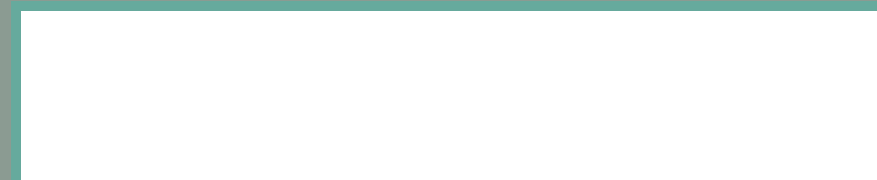


**United Kingdom**  
Stauff UK Ltd.  
332, Coleford Road Damall  
Sheffield, S 9 5 P H, ENGLAND  
Tel: +44 1142 518 518  
Fax: +44 1142 518 519



**USA**  
Stauff Corporation  
7 Wm. Demarest Place  
Waldwick, NJ - 07463, USA  
Tel: +1 201 444 78 00  
Fax: +1 201 444 78 52

Globally available through distributors in all industrial countries



2004  
STAUFF  
2004  
STAUFF



Medium Pressure Filters SMPF

Local solutions for individual customers worldwide



## Medium Pressure Filter SMPF

### Australia

Stauff Corporation Pty. Ltd.  
Postal Office Box 227  
Unanderra Wollongong , NSW, 2526  
24-26 Doyle Avenue  
Unanderra Wollongong , NSW, 2526, AUSTRALIA  
Tel: +61 2 42 71 18 77  
Fax: +61 2 42 71 84 32

### Brazil

Stauff Brasil Ltda.  
Av. Gupê 10767  
Galpão 2 – Bloco A  
Barueri – São Paulo – CEP 06422-120, BRAZIL  
Tel: +55 (0)11 4772 7200  
Fax: +55 (0)11 4772 7210

### Canada

Stauff Canada Ltd.  
866 Milner Avenue  
Scarborough  
Ontario M1B 5N7 , CANADA  
Tel: +1 416 282 46 08  
Fax: +1 416 282 30 39

### China

Stauff International Trading (Shanghai) Co., Ltd.  
Shangdian Mansion, Pudong  
331 , Binzhou Road  
200126 Shanghai, CHINA  
Tel: +86 21 58 45 65 60  
Fax: +86 21 58 45 66 80

### France

Stauff S.A.  
230, Avenue du Grain d'Or  
Z.I. de Vineuil-Blois Sud  
41354 Vineuil-cedex, FRANCE  
Tel: +33 2 54 50 55 50  
Fax: +33 2 54 42 29 19

### India

Stauff India Pvt. Ltd.  
Gat. No. 2340,  
Pune-Nagar Road, Wagholi  
Pune, 412207, INDIA  
Tel: +91 20 705 19 90  
Fax: +91 20 705 19 89

### Italy

Stauff Italia S.R.L.  
Via Pola 21/23,  
20034 Birone di Giussano (MI), ITALY  
Tel: +39 0362 312113  
Fax: +39 0362 335536

### New Zealand

Stauff Corporation (NZ) Ltd.  
Post Office Box 58517  
Greenmount, Auckland  
Unit J, 150 Harris Road  
East Tamaki, Auckland NEW ZEALAND  
Tel: +64 9 271 4812  
Fax: +64 9 271 4832

### United Kingdom

Stauff UK  
332, Coleford Road  
Darnall  
Sheffield, S 9 5PH, ENGLAND  
Tel: +44 114 251 8518  
Fax: +44 114 251 8519

### USA

Stauff Corporation  
7 Wm. Demarest Place  
Waldwick, 07463-1542  
New Jersey, USA  
Tel: +1 201 444 78 00  
Fax: +1 201 444 78 52

## Walter Stauffenberg GmbH & Co. KG

P. O. Box 1745 · 58777 Werdohl  
Im Ehrenfeld 4 · 58791 Werdohl  
Tel.: +49 23 92 9160  
Fax: +49 23 92 2505  
E-mail: sales@stauff.com  
Internet: http://www.stauff.com

### Stauff Filtration Technology

Stauff Filtration Technology offers a complete range of filtration products and services that will provide the system designer or user with the highest level of contamination control demanded by today's most sophisticated applications. Products include pressure filters, return line filters, elements, spin on filters suction strainers and filler breathers for various hydraulic, lubrication and fuel oils.

Stauff has the technical expertise to provide superior filter element designs for the Stauff original filter housings and also for the interchange element market. Stauff manufactures more than 10,000 different elements. Many of these are designed to fit into filter housings produced by other companies while maintaining or surpassing the original performance.

The "Stauff Contamination Control Program" includes the diagnostic services including fluid sampling and laser particle counting products needed to monitor the system contamination level.

Stauff, through its global network of wholly owned companies and technically qualified distributors, is ideally placed to assist its customers in the total contamination process providing a well balanced filtration solution.

### Medium Pressure Filter SMPF

### Page

Technical Data	3
Dimensions	4
Clogging Indicators	5
Ordering Code	6
Flow characteristics	7

**Distributors and warehouses  
in all industrial countries.**

## Technical Data

STAUFF SMPF series medium pressure filters are designed for in-line hydraulic applications with a maximum operating pressure of 110 bar (1600 PSI). Used together with STAUFF filter elements, a high efficiency of contaminant removal is assured.

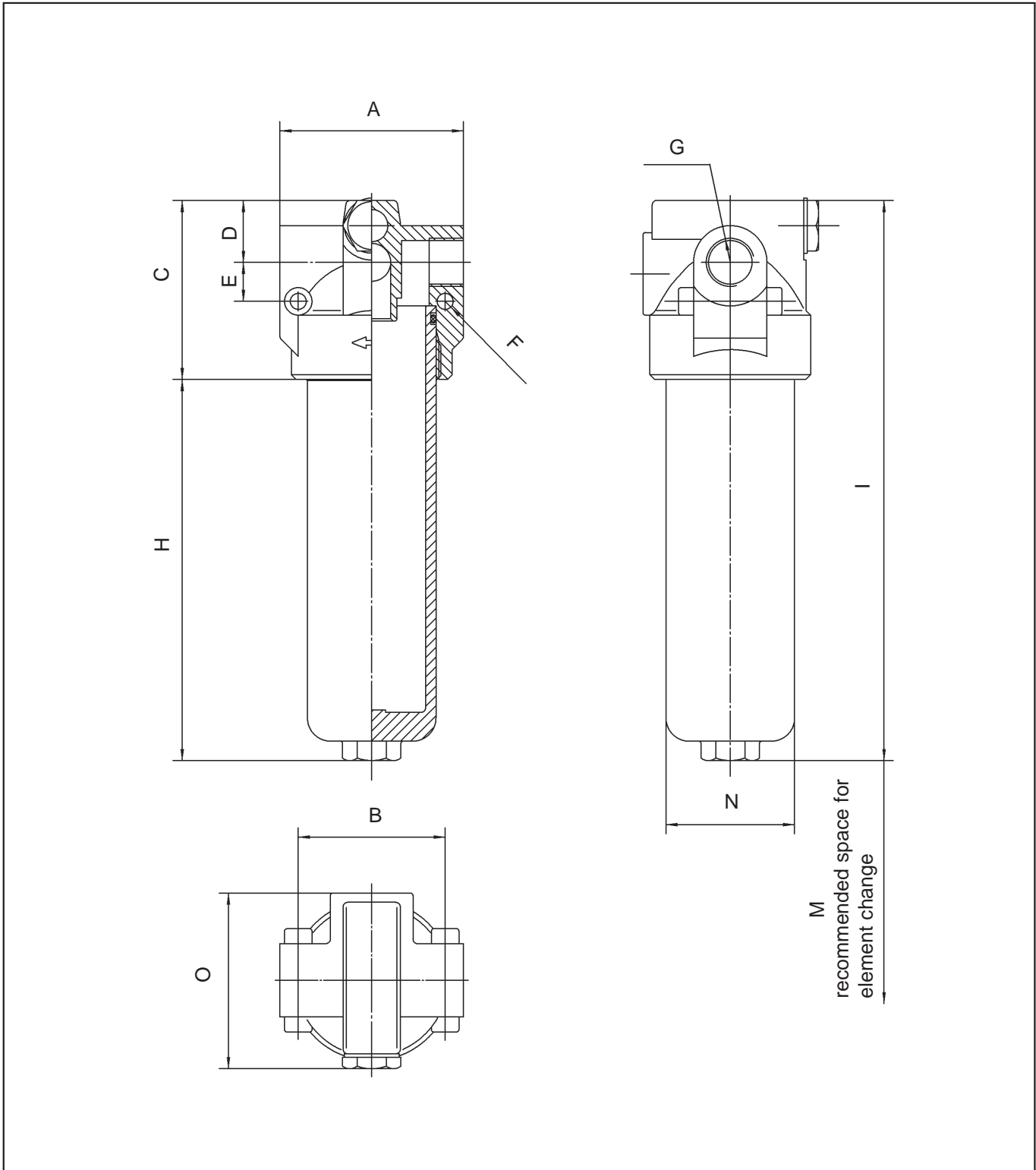


## Technical Specification

Construction	In-line assembly
Filter base and cap	Aluminium alloy
Seals	O-Rings NBR (Buna-N®)
Port connections	BSP, SAE "O"-Ring thread
Flow rating	up to 90 l/min (25 US GPM) for 32 cSt (150 SUS) fluids
Operating pressure	max 110 bar (1600 PSI)
Test pressure	200 bar (2900 PSI)
Temperature range	-25°C to +110°C (-13°F to +230°F)

By-pass valve	Allows unfiltered oil to by-pass the contaminated element once the opening pressure has been reached
By-pass setting	6 bar (87 PSI)
Clogging indicators	standard actuating pressure: 5 bar (72 PSI) indicator types: visual and visual-electrical
Filter elements	Flow characteristics see page 7
Media	Mineral oils, other fluids on request

## Dimensions

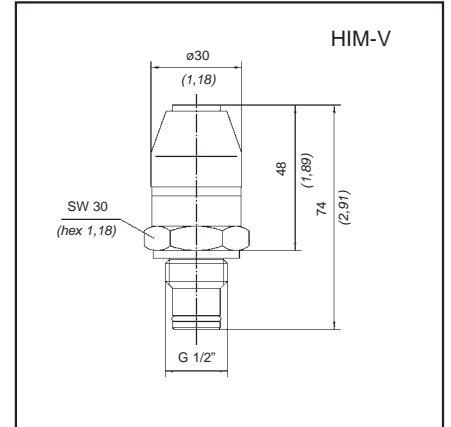


Dimensions in mm (inch)

Filter Size	Nominal Flow	A	B	C	D	E	F	H	I	M	N	O	Thread connection G		Weight
													SAE	BSP	
SMPF015	60 LPM (15 GPM)	80 (3.2)	64 (2.52)	78 (3.1)	27 (1.1)	17 (0.7)	7 (0.3)	79 (3.1)	157 (6.2)	60 (2.4)	56 (2.2)	76,5 (3)	3/4-16 UN	G 1/2	0.95 kg (2.1 lb)
SMPF025	90 LPM (25 GPM)	80 (3.2)	64 (2.52)	78 (3.1)	27 (1.1)	17 (0.7)	7 (0.3)	166 (6.5)	244 (9.61)	60 (2.4)	56 (2.2)	76,5 (3)	3/4-16 UN	G 1/2	1.25 kg (2.8lb)

## 1. Visual clogging indicator HIM-V

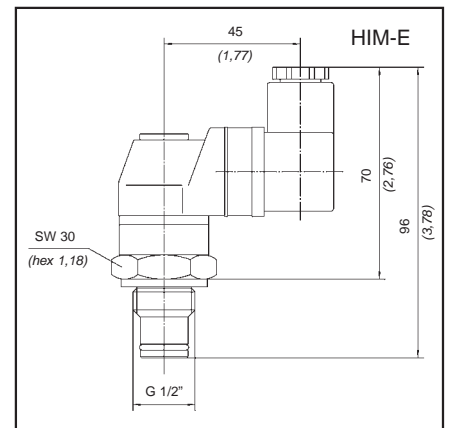
Part number HIM-V is a clogging indicator actuated by the differential pressure across the filter element. The actuating pressure of 5 bar (72 PSI) allows the dirty element to be changed before the by-pass setting of 6 bar (87 PSI) is reached.



Dimensions in mm (in)

## 2. Visual-Electrical clogging indicator HIM-E

Part number HIM-E is used when an electrical signal is needed to indicate when the element needs changing. It is actuated by the differential pressure across the filter element. The actuating pressure of 5 bar (72 PSI) allows the dirty element to be changed before the by-pass setting of 6 bar (87 PSI) is reached.

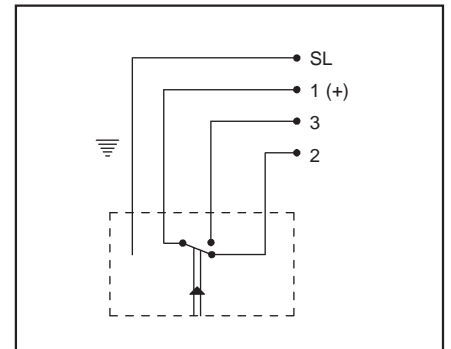


Dimensions in mm (in)

### HIM-E Rated capacity

Voltage V	Resistive Load Amps	Inductive Load Amps
125 VAC	5	5
250 VAC	5	5
15 VAC	10	10
30 VDC	5	5
50 VDC	1	1
125 VDC	0.5	0.06

### HIM-E Wiring diagram



### Ordering Code

**HIM - E B - 5,0B /X**

Clogging Indicator SMPF

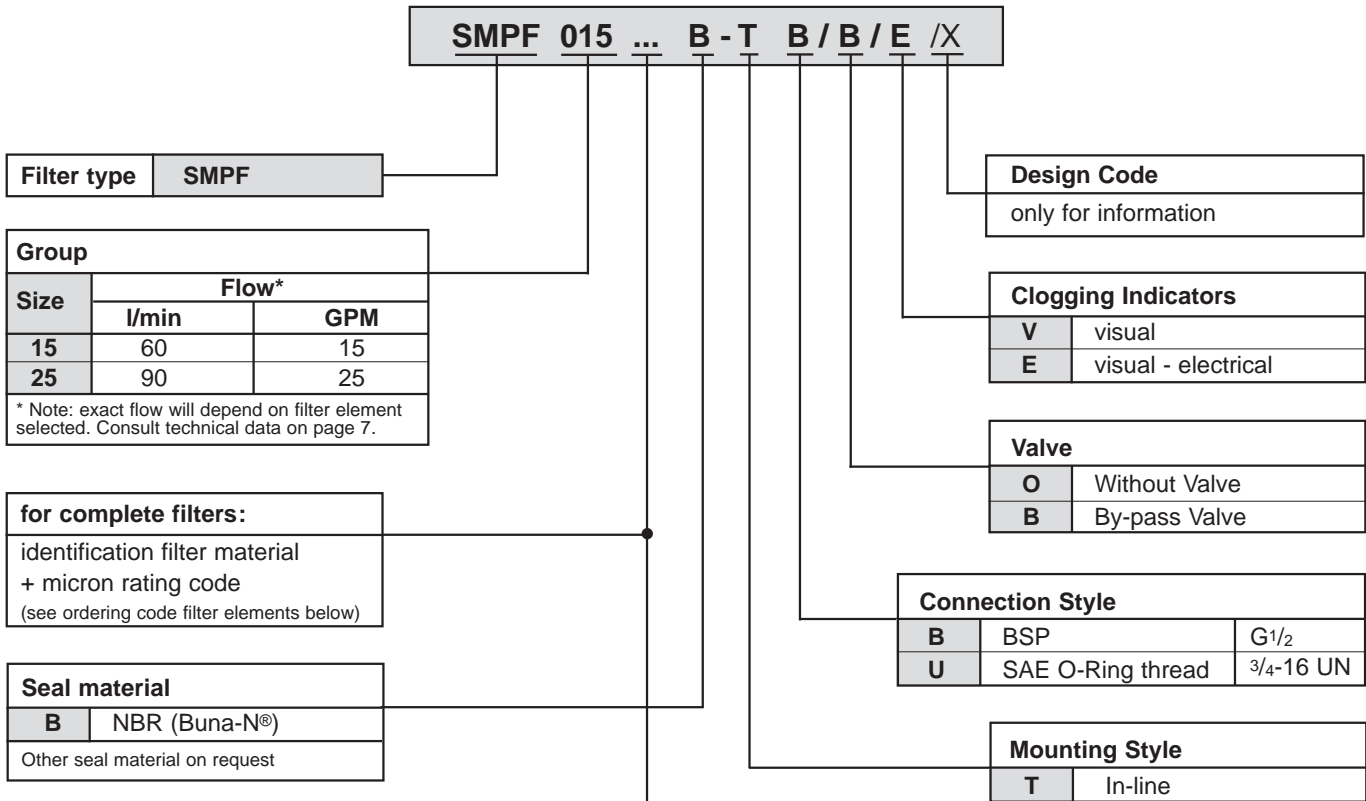
Type	
Code	Type
V	visual
E	visual-electrical

Seal Material	
B	NBR (Perbunan®)
other material on request	

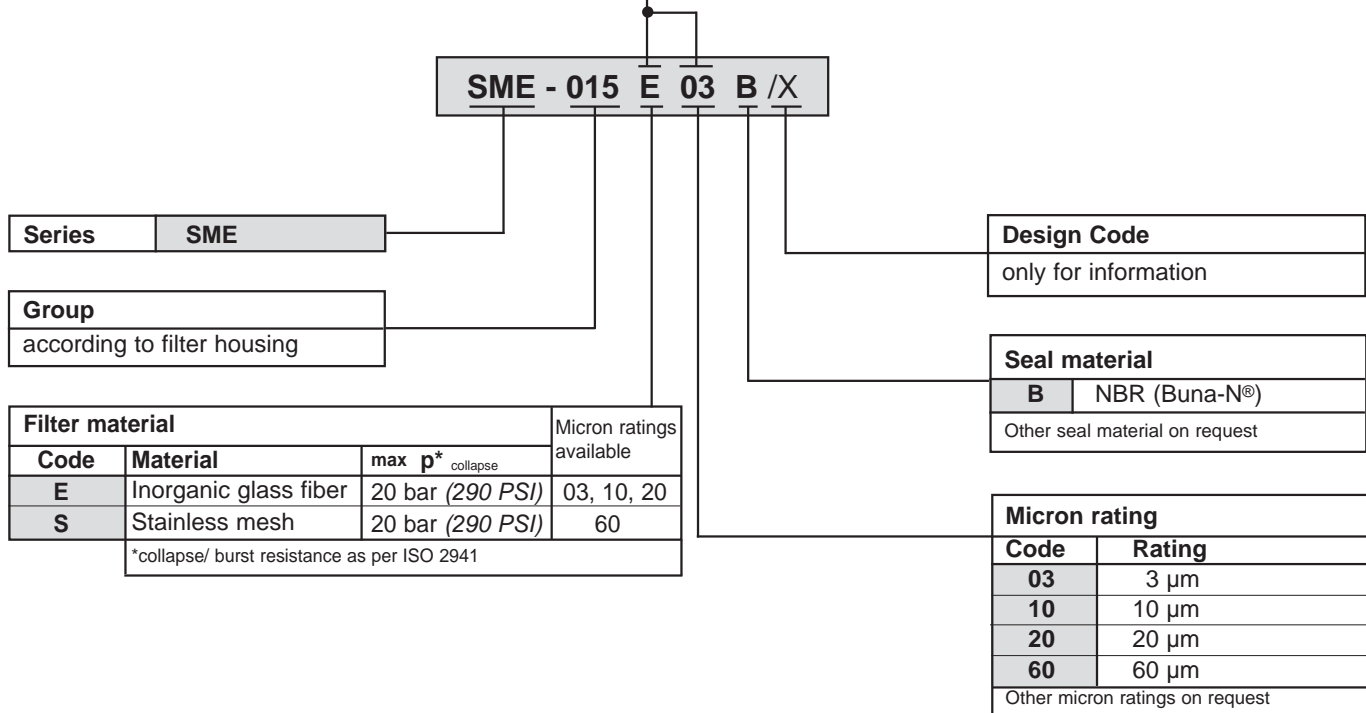
**Design Code**  
only for information

Actuating pressure	
5,0B	5 bar (72 PSI)
other pressures on requests	

## Ordering Code Filter Housings



## Ordering Code Filter Elements



## Flow Characteristics of Medium Pressure Filters SMPF

The following characteristics are valid for mineral oils with a density of 0,85 kg/dm<sup>3</sup> and the kinematic viscosity of 30 mm<sup>2</sup>/s. The characteristics have been determined in accordance to ISO 3968.

